

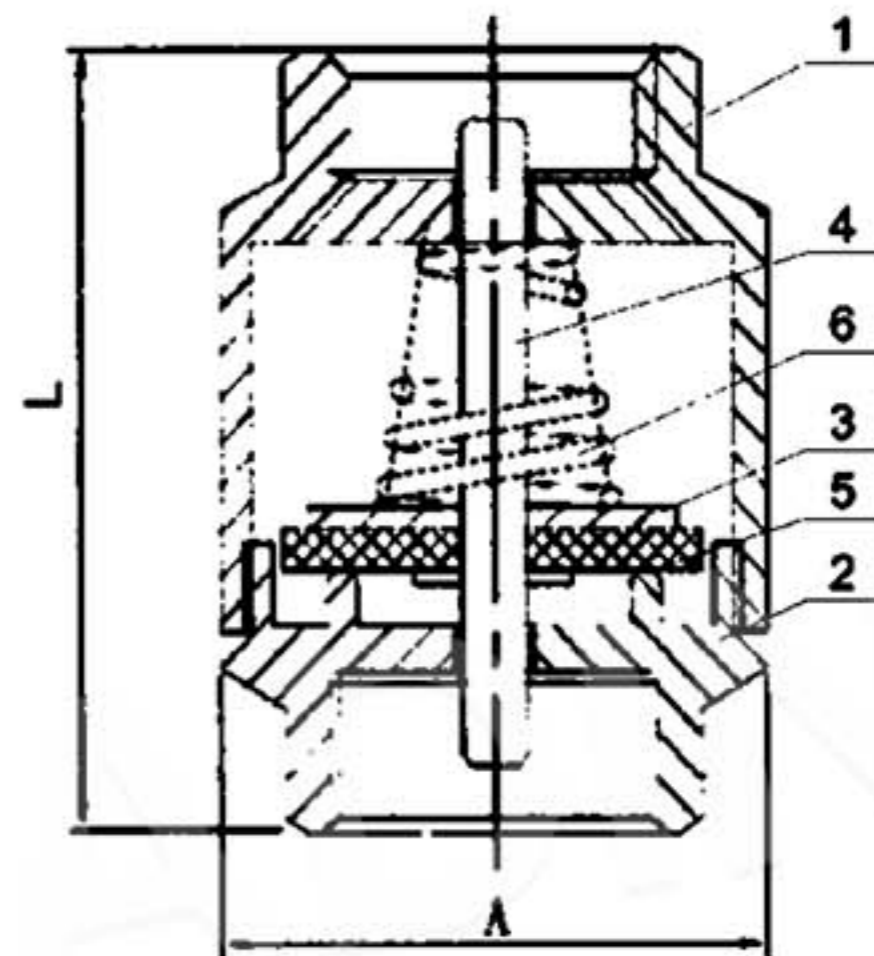
CHECK VALVE



BRASS SPRING CHECK VALVE SCREWED ENDS

FEATURE AND APPLICATION

- ◆ Pipe Thread To ISO228
- ◆ The valve are designed to prevent reverse flow automatically
- ◆ Spring load type disc Opening pressure 0.03 Bar
- ◆ Spring in stainless steel
- ◆ Applicable Medium : Water, Oil, Gas, Air
- ◆ Screwed end BSPT Connection
- ◆ Max.Working Pressure : 232 PSI (16 Bar)
- ◆ Max.Working Temperature : -10°C To 110°C
- ◆ Size Range : 1/2" - 4"



Bill of Materials

Sequence	Description	Material	Sizes
1	Body	Brass CW617N	All
2	Bonnect	Brass CW617N	All
3	Disc	Brass CW617N	All
4	Stem	Brass CW617N	All
5	Rubber	Nitrile Rubber	All
6	Spring	Stainless Steel Type304	All

Dimensions

mm

DN	INCH	A	L
15	1/2"	33.5	46
20	3/4"	41	52
25	1"	45.5	56
32	1.1/4"	56	68.5
40	1.1/2"	83.5	70
50	2"	81	81
65	2.1/2"	97	99
80	3"	112	102
100	4"	142.5	112

